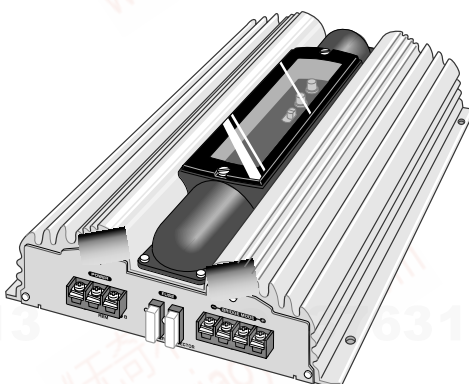


# JVC

# SERVICE MANUAL

## POWER AMPLIFIER

### KS-AX4700



<b>Area Suffix</b>	
E	--- Continental Europe
J	----- Northern America

#### Caution

If electricity is connected during disassembly, it must be a no load current. If it is load current, be sure to attach a heat sink to the power-amp IC. This will be damaged if the above precautions are not followed, as it does not have a sub heat sink attached to it.

#### Contents

Safety precaution .....	1-2
Location of main parts .....	1-3
Removal of main parts .....	1-5
Test method .....	1-7
Description of major ICs .....	1-8

www.xiaoyu163.com



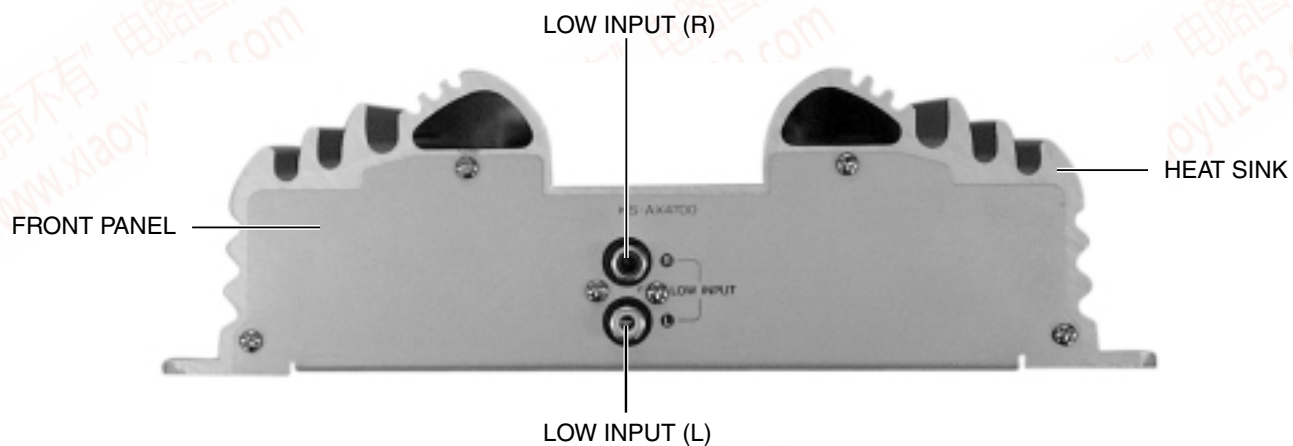
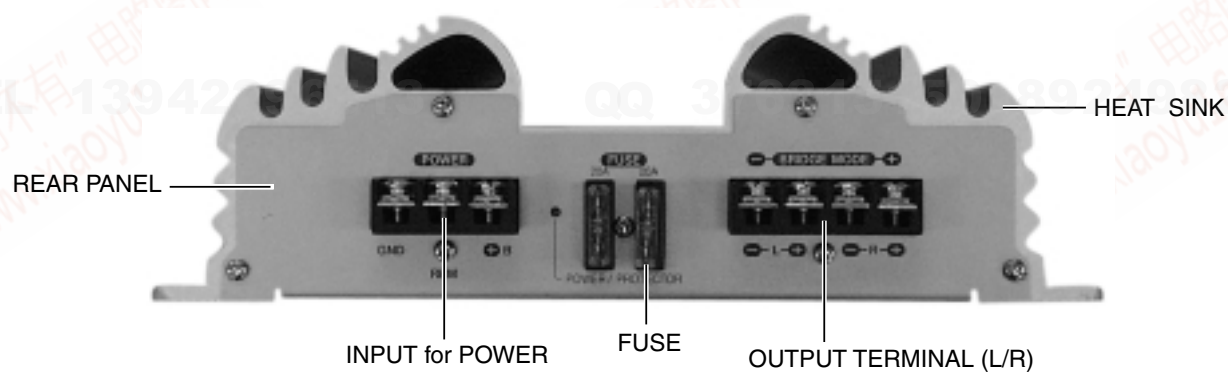
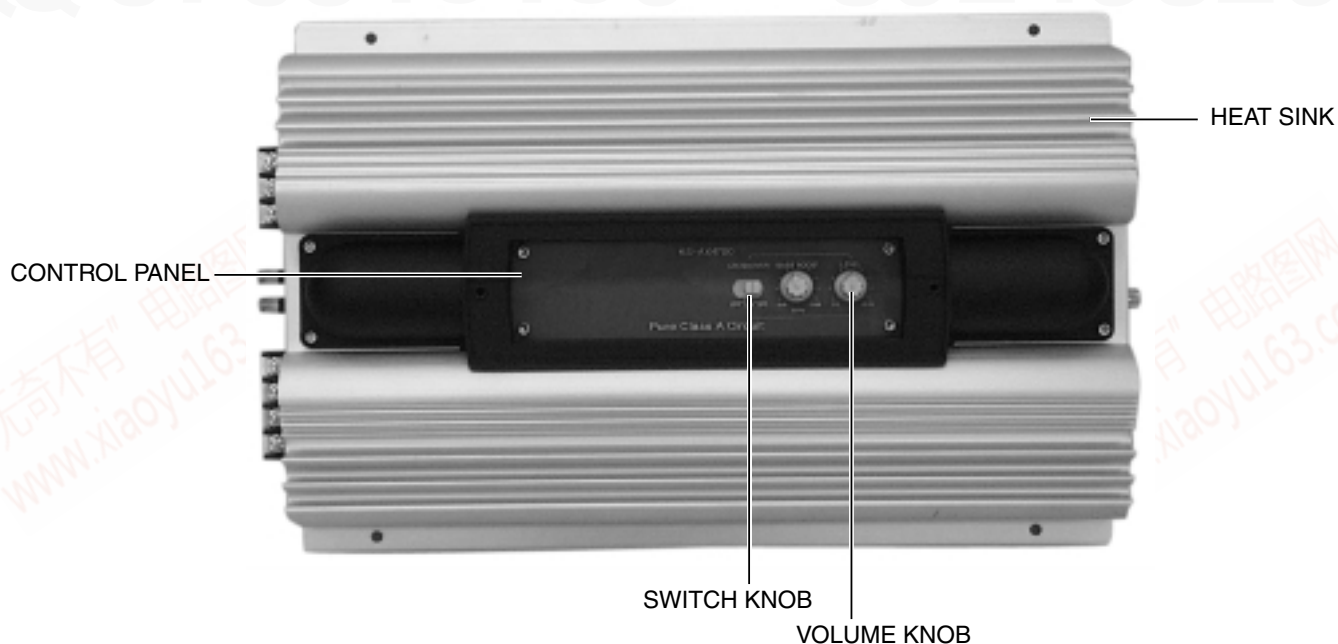
**CAUTION** Burrs formed during molding may be left over on some parts of the chassis. Therefore, pay attention to such burrs in the case of performing repair of this system.

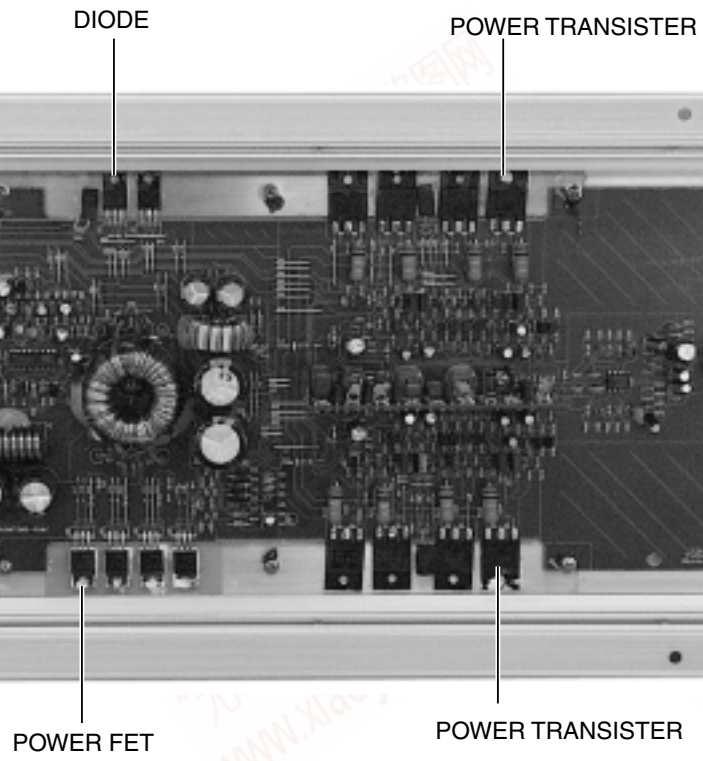
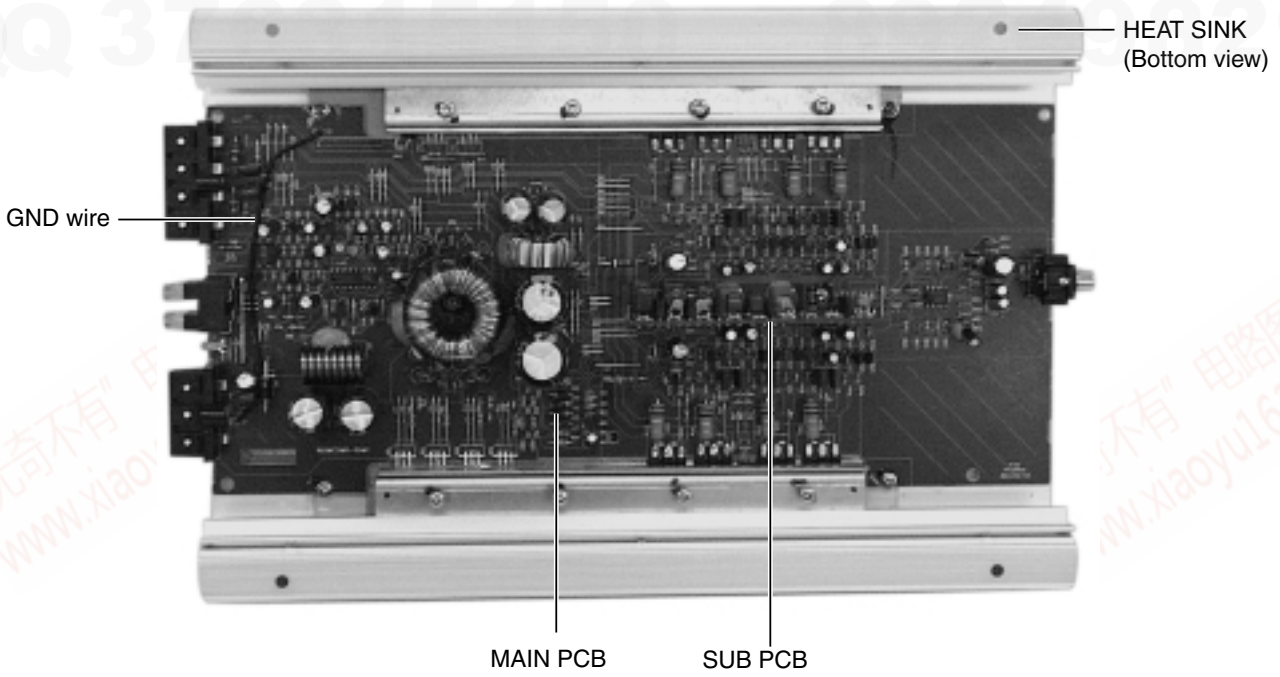
TEL 13942296513 QQ 376315150 892498299

TEL 13942296513 QQ 376315150 892498299

[www.xiaoyu163.com](http://www.xiaoyu163.com)

# Location of main parts





## Removal of main parts

**CAUTION:** If electricity is connected during disassembly, it must be a no load current. If it is load current, be sure to attach a heat sink to the power-amp IC. This will be damaged if the above precautions are not followed, as it does not have a sub heat sink attached to it.

### ■ Removing the bottom cover (see Fig. 1)

1. From the bottom side of the main unit, remove the 4 screws A retaining the bottom cover.
2. Then remove the 6 screws B retaining the bottom cover.
3. Remove the bottom cover.

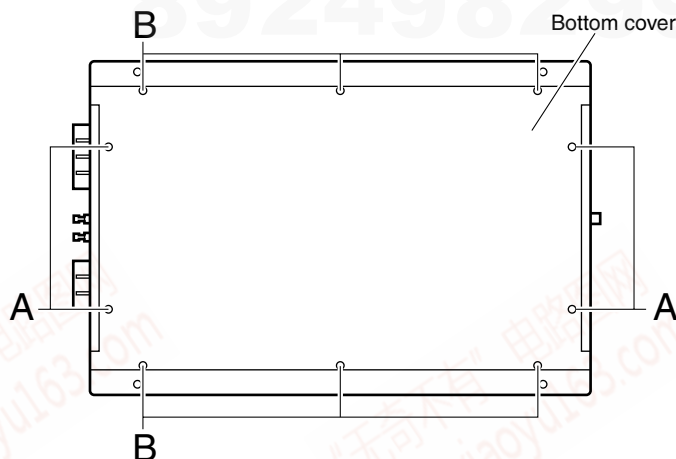


Fig. 1

### ■ Removing the MAIN PCB (see Fig. 2 to 8)

1. Remove the bottom cover from the main unit.
2. Loosen and remove the 2 screws C retaining the top plate on the main unit. (Stoppers are attached to the backs of the C screws so that they cannot be removed easily.)

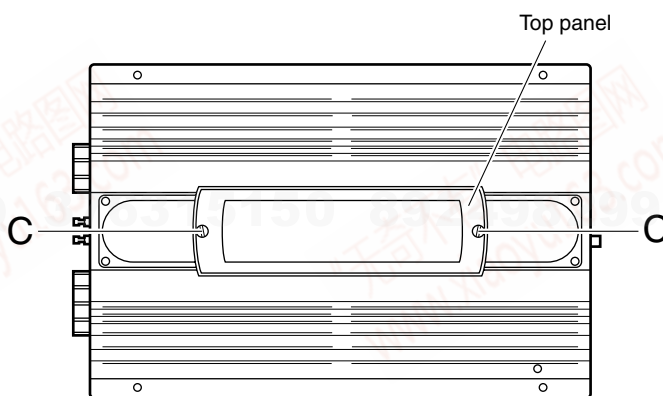


Fig. 2

3. Remove the 6 volume knobs on top of the control panel. If it cannot be pulled out easily, insert a rope or wire between the base of the volume knob and the control panel so that the volume knob is raised a little above the surface and then remove it.

**(Be careful when inserting a lever etc. not to scratch the surface of the control panel).**

4. Remove the 4 screws D retaining the control panel. Then detach the control panel and the switch knobs.

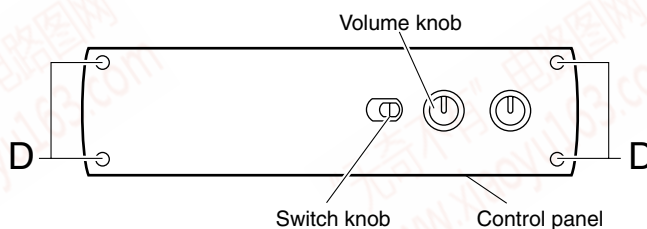


Fig. 3

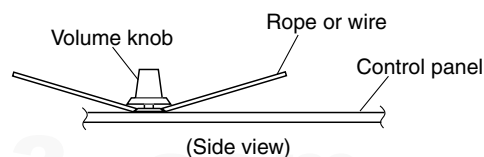


Fig. 4

5. Remove the 13 screws E retaining the panels on both sides of the main unit.

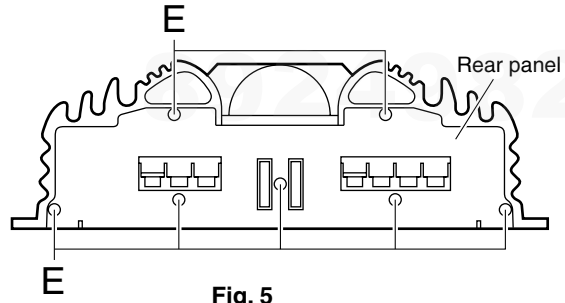


Fig. 5

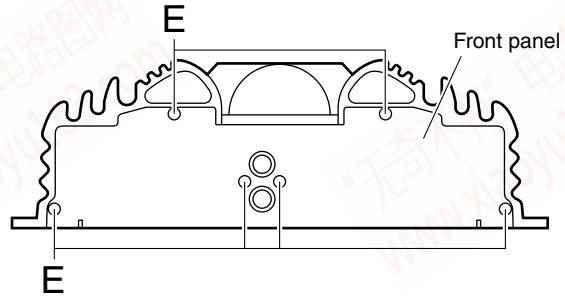


Fig. 6

6. Remove the 14 screws F attaching the MAIN PCB to the bottom of the main unit.

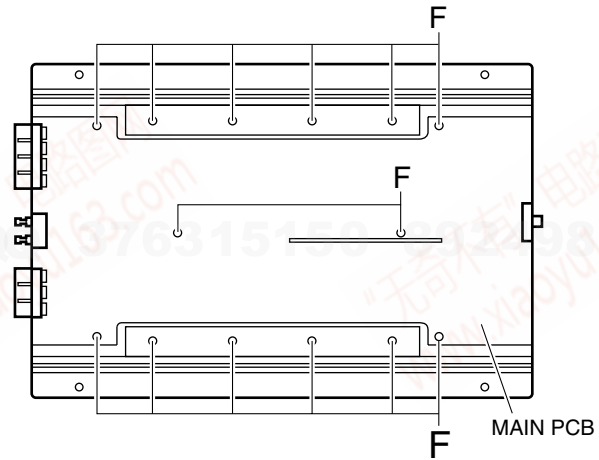
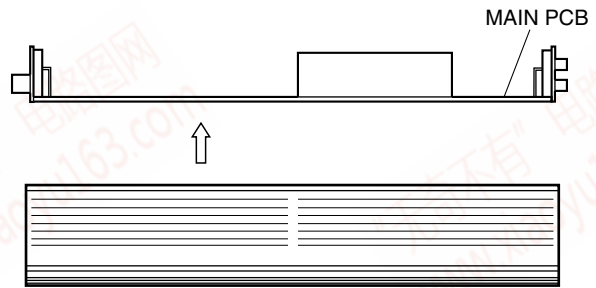


Fig. 7

7. Remove the MAIN PCB by lift up the arrow mark.



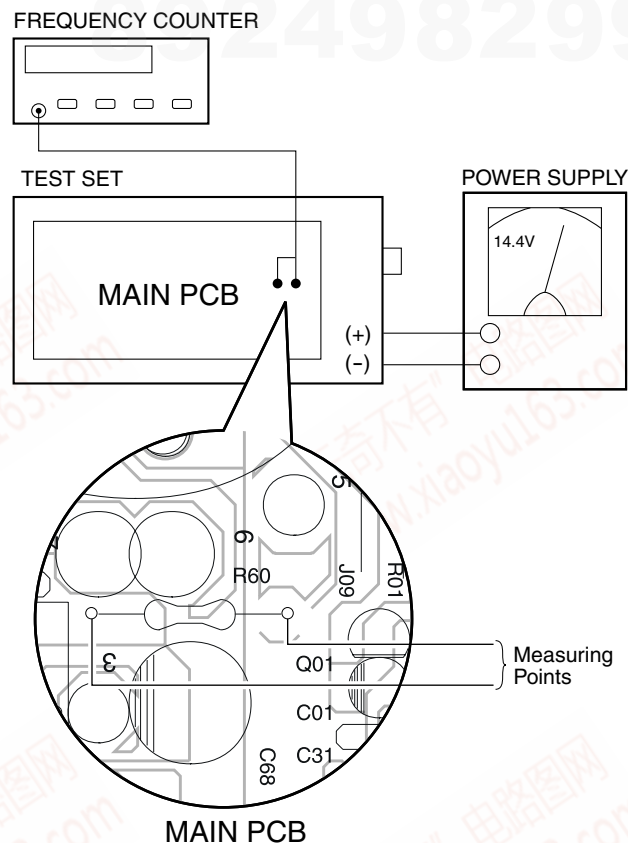
(Side view)

Fig. 8

## Test method

1. Check the voltage and frequency of the secondary toroidal coil.

FREQUENCY: 36.0kHz  $\pm$  50Hz  
 VOLTAGE VALUE: 75Vp-p  $\pm$  2.5V



2. Measure the secondary toroidal coil, if the standard frequency value of 36.0 kHz  $\pm$  50 Hz is not attained, measure the R60 terminal, then adjust the SV01 so that the R60 terminal becomes 36.0 kHz  $\pm$  50Hz.

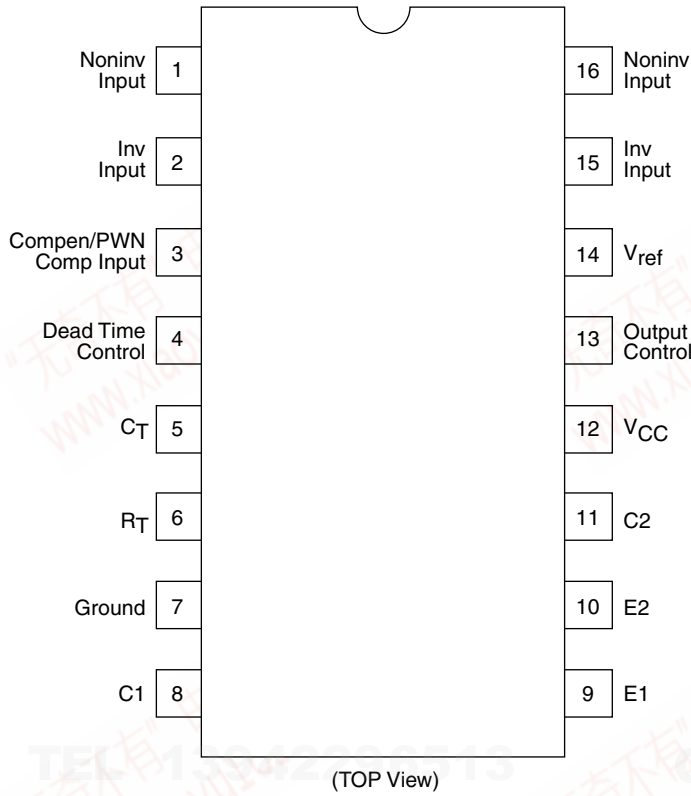
**Note:** When measuring, adjust and apply power with no signal or load on each board.

### DC/DC CONVERTER SECOND GENERATOR SWITCHING

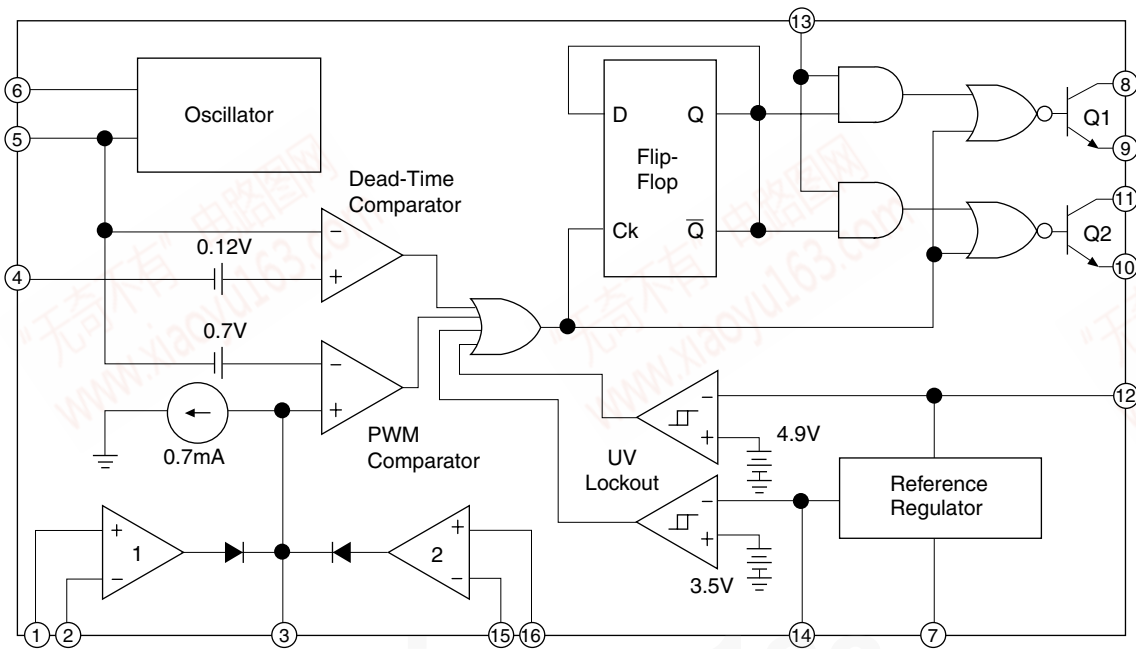
TEST ITEM	SPECIFICATION	CONDITION	
VOLTAGE TEST	75Vp-p $\pm$ 2.5V	OSCILLOSCOPE VOLT/DIV: 10 TIME/DIV: 10msec	
FREQUENCY CHECK	36.0KHz $\pm$ 50Hz		

# Description of major ICs

## PIN CONNECTIONS



## TL494





QQ 376315150

892498299

TEL 13942296513 QQ 376315150 892498299

TEL 13942296513 QQ 376315150 892498299

"无奇不有" 电路图网  
www.xiaoyu163.com

"无奇不有" 电路图网  
www.xiaoyu163.com

"无奇不有" 电路图网  
www.xiaoyu163.com

TEL 13942296513  
"无奇不有" 电路图网  
www.xiaoyu163.com

QQ 376315150  
"无奇不有" 电路图网  
www.xiaoyu163.com

892498299  
"无奇不有" 电路图网  
www.xiaoyu163.com

"无奇不有" 电路图网  
www.xiaoyu163.com

"无奇不有" 电路图网  
www.xiaoyu163.com

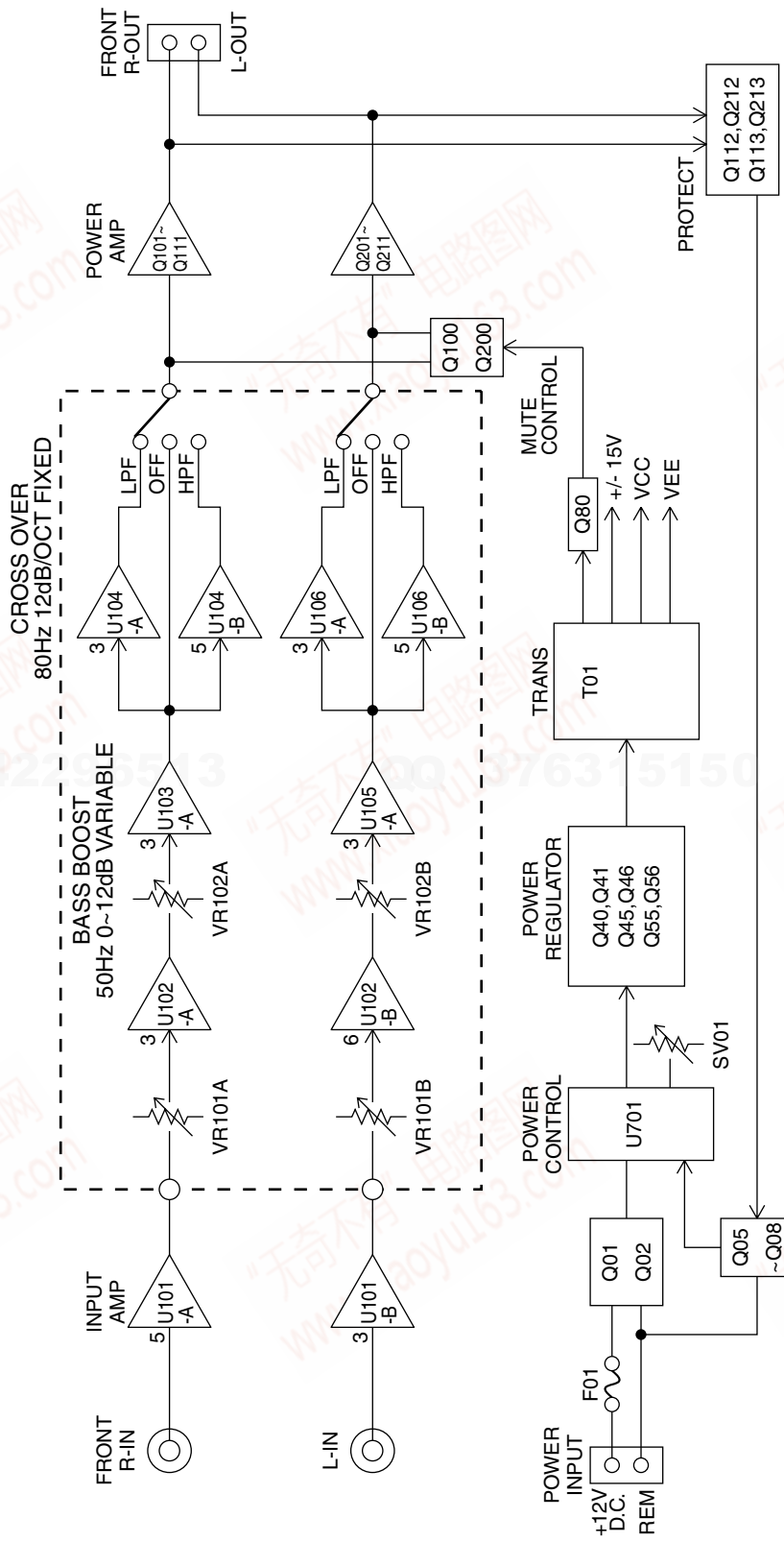
"无奇不有" 电路图网  
www.xiaoyu163.com

**JVC**

VICTOR COMPANY OF JAPAN, LIMITED  
MOBILE ELECTRONICS DIVISION  
PERSONAL & MOBILE NETWORK B.U. 10-1,1Chome,Ohwatari-machi,Maebashi-city,Japan

www.xiaoyu163.com

# Circuit block diagram



www.xiaoyu163.com

— MEMO —

QQ 376315150

892498299

TEL 13942296513 QQ 376315150 892498299

TEL 13942296513 QQ 376315150 892498299

"无奇不有" 电路图网  
[www.xiaoyu163.com](http://www.xiaoyu163.com)

"无奇不有" 电路图网  
[www.xiaoyu163.com](http://www.xiaoyu163.com)

"无奇不有" 电路图网  
[www.xiaoyu163.com](http://www.xiaoyu163.com)

"无奇不有" 电路图网  
[www.xiaoyu163.com](http://www.xiaoyu163.com)

"无奇不有" 电路图网  
[www.xiaoyu163.com](http://www.xiaoyu163.com)

"无奇不有" 电路图网  
[www.xiaoyu163.com](http://www.xiaoyu163.com)

"无奇不有" 电路图网  
[www.xiaoyu163.com](http://www.xiaoyu163.com)

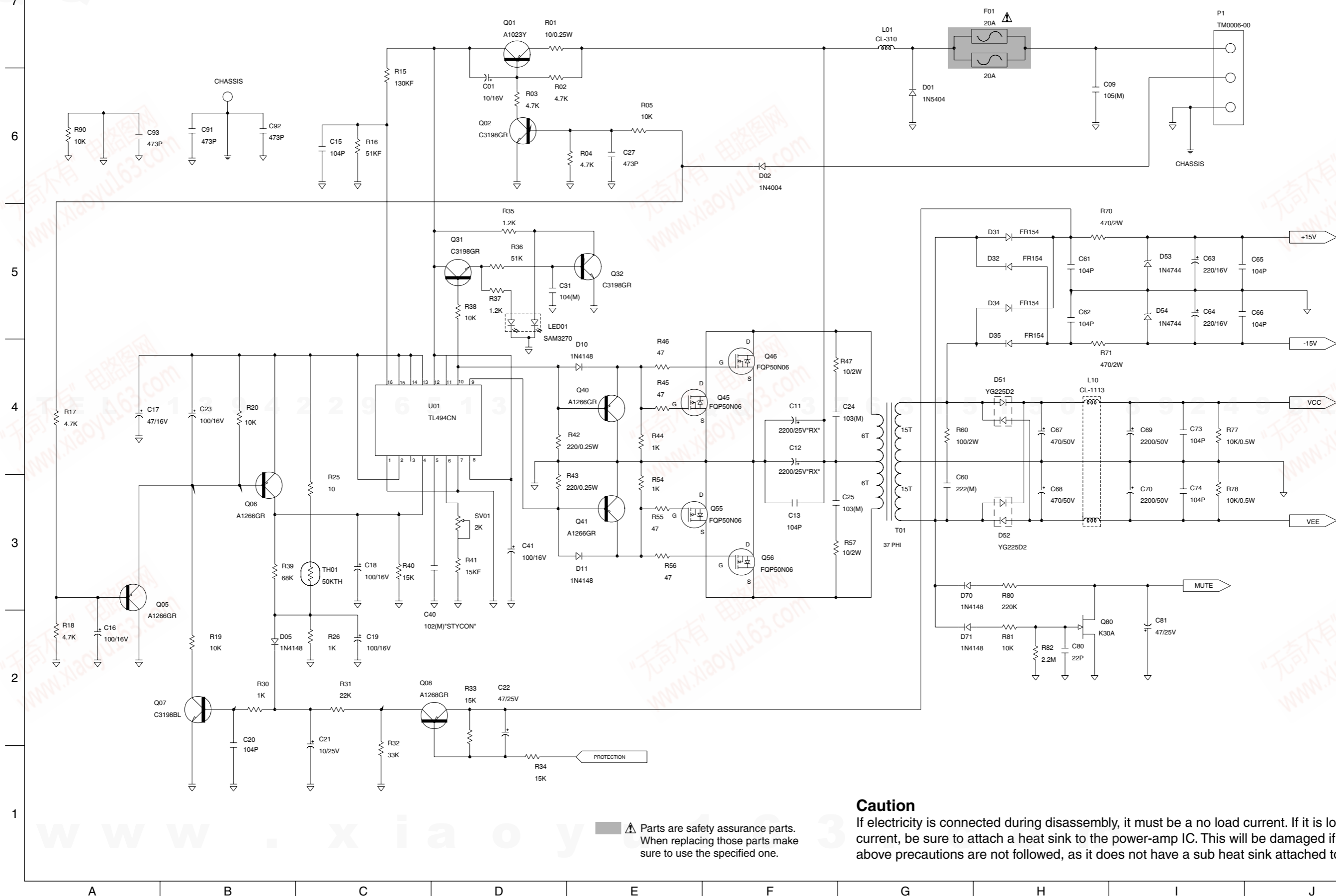
"无奇不有" 电路图网  
[www.xiaoyu163.com](http://www.xiaoyu163.com)

"无奇不有" 电路图网  
[www.xiaoyu163.com](http://www.xiaoyu163.com)

[www.xiaoyu163.com](http://www.xiaoyu163.com)

# Standard schematic diagrams

## MAIN PCB [1/2] and SUB PCB circuit diagrams

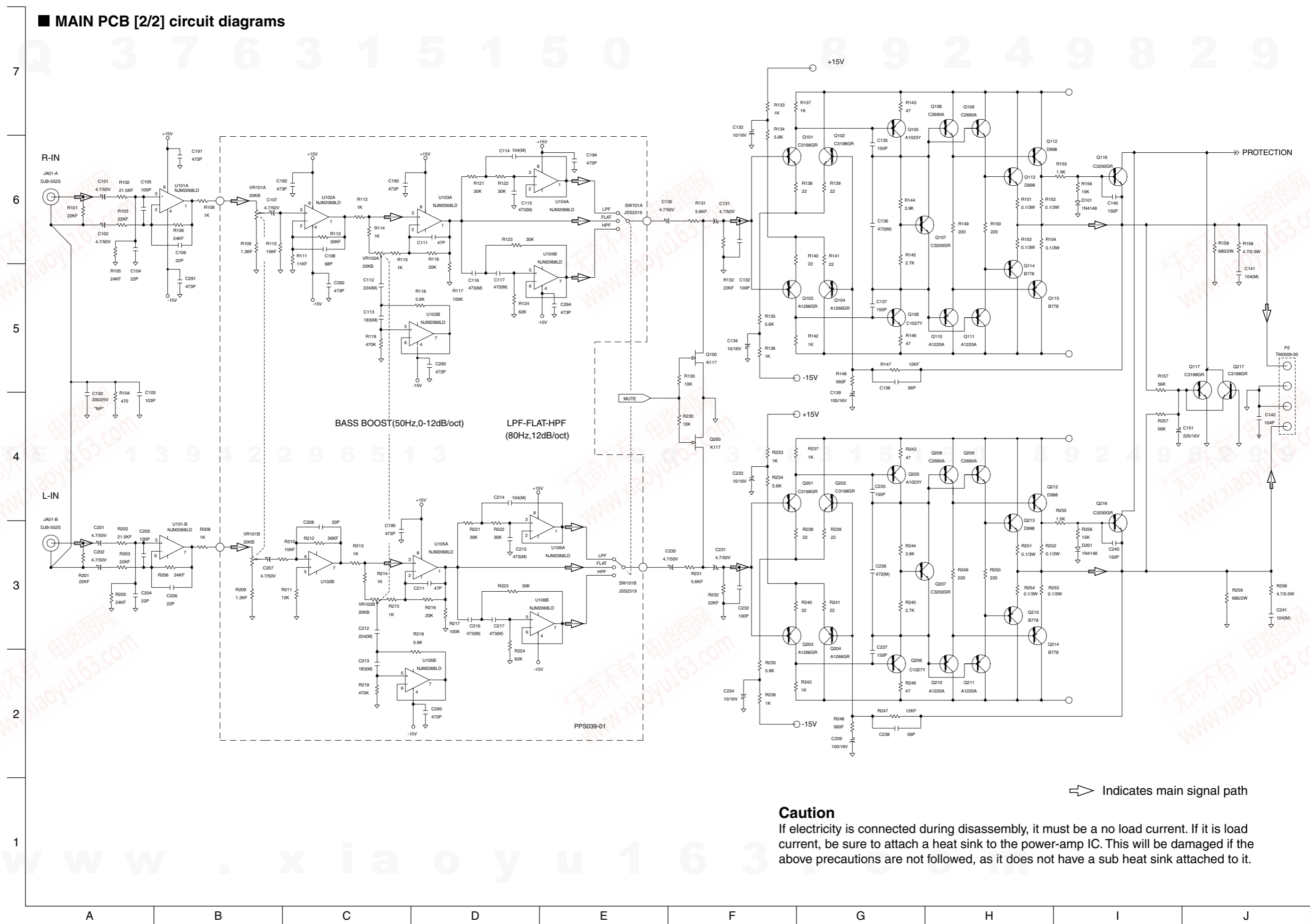


▲ Parts are safety assurance parts. When replacing those parts make sure to use the specified one.

### Caution

If electricity is connected during disassembly, it must be a no load current. If it is load current, be sure to attach a heat sink to the power-amp IC. This will be damaged if the above precautions are not followed, as it does not have a sub heat sink attached to it.

MAIN PCB [2/2] circuit diagrams



⇒ Indicates main signal path

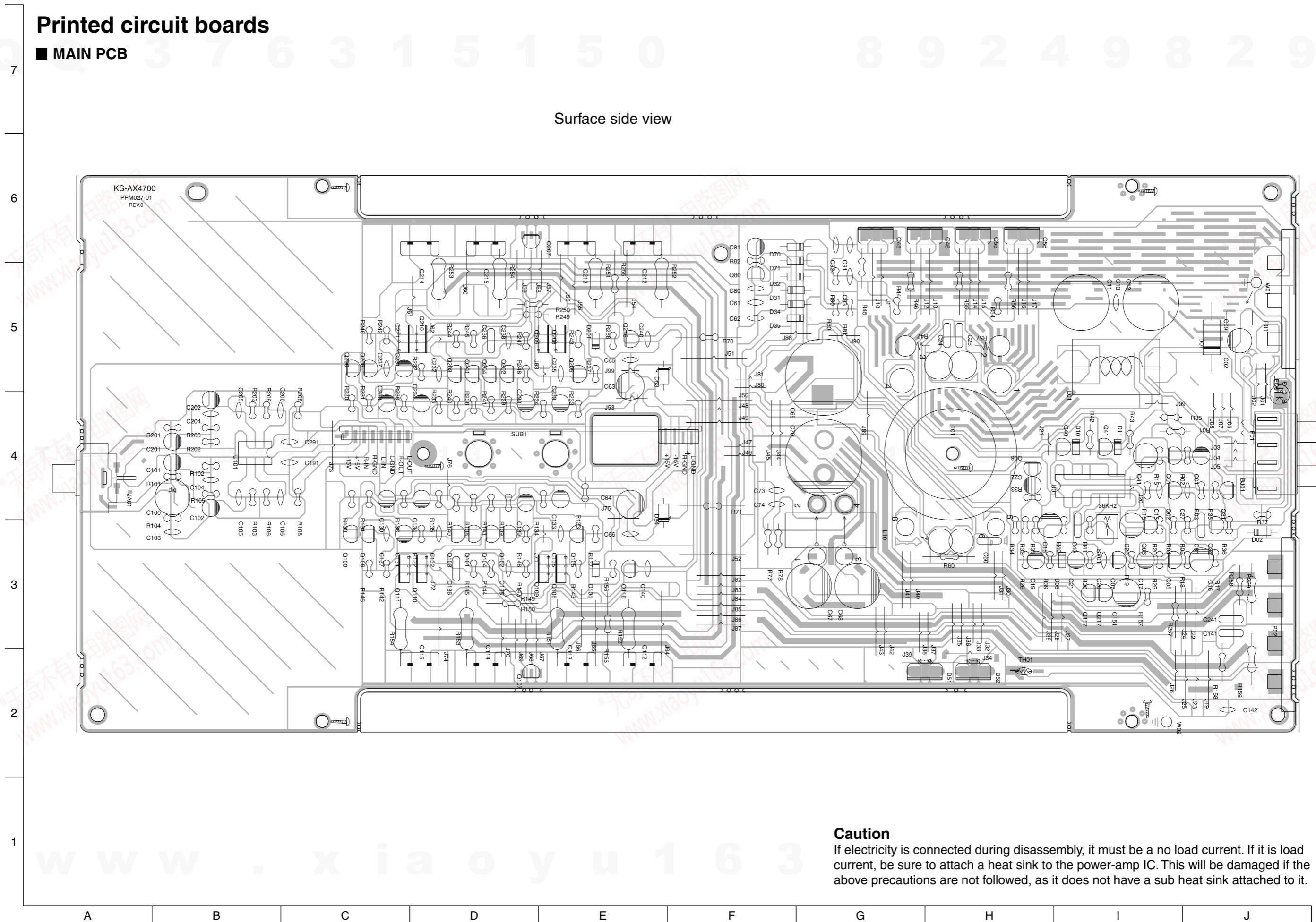
Caution

If electricity is connected during disassembly, it must be a no load current. If it is load current, be sure to attach a heat sink to the power-amp IC. This will be damaged if the above precautions are not followed, as it does not have a sub heat sink attached to it.

# Printed circuit boards

## ■ MAIN PCB

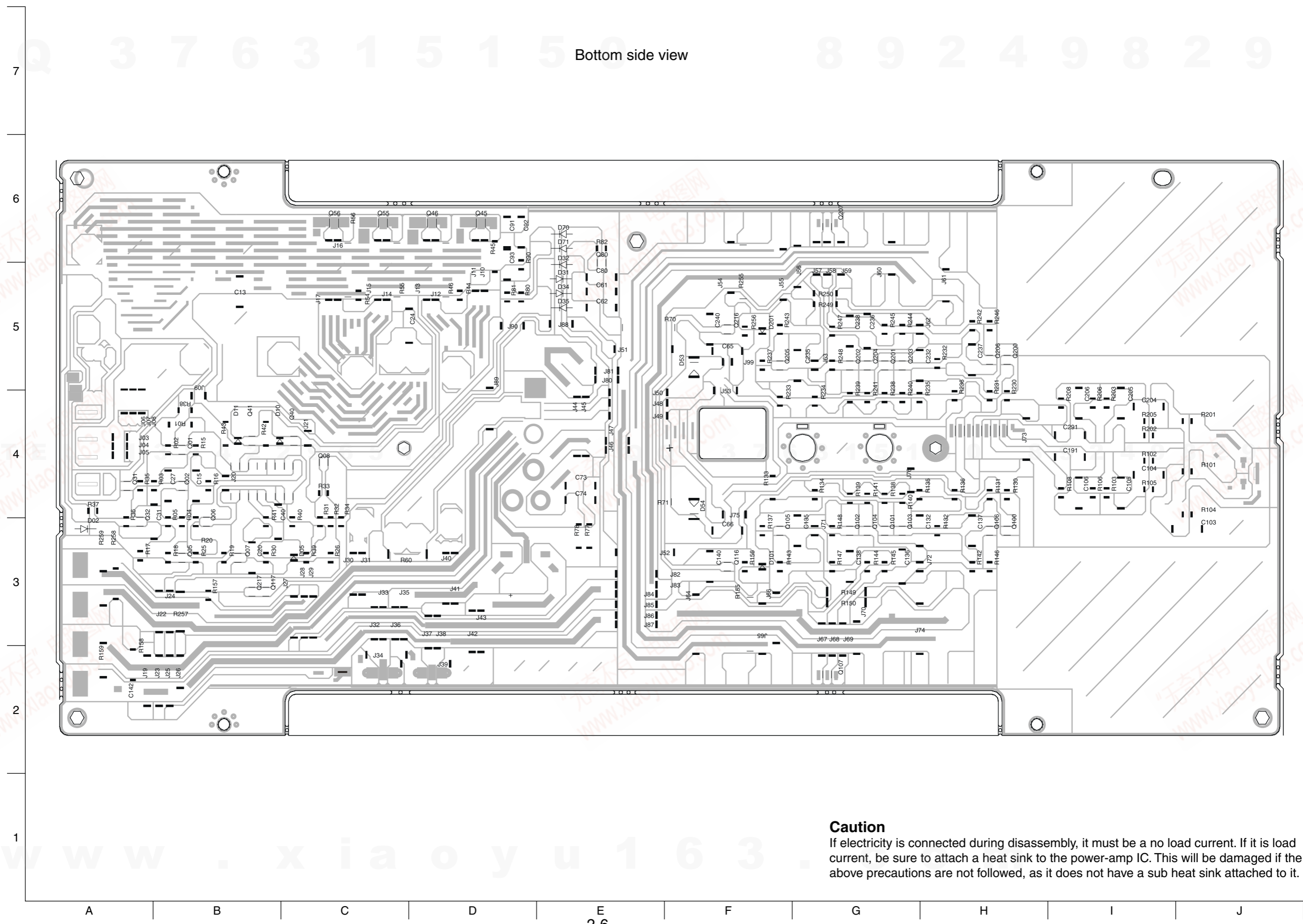
Surface side view



### Caution

If electricity is connected during disassembly, it must be a no load current. If it is load current, be sure to attach a heat sink to the power-amp IC. This will be damaged if the above precautions are not followed, as it does not have a sub heat sink attached to it.

Bottom side view

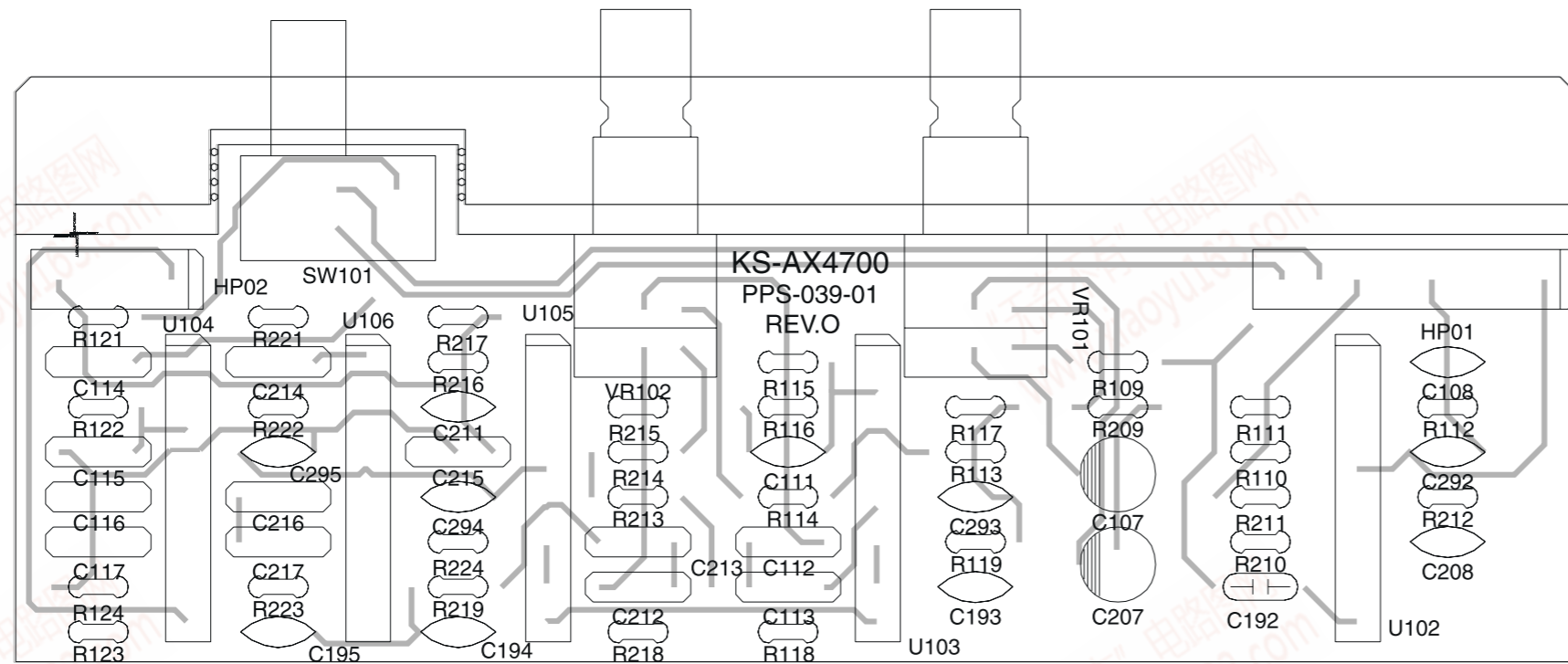


**Caution**

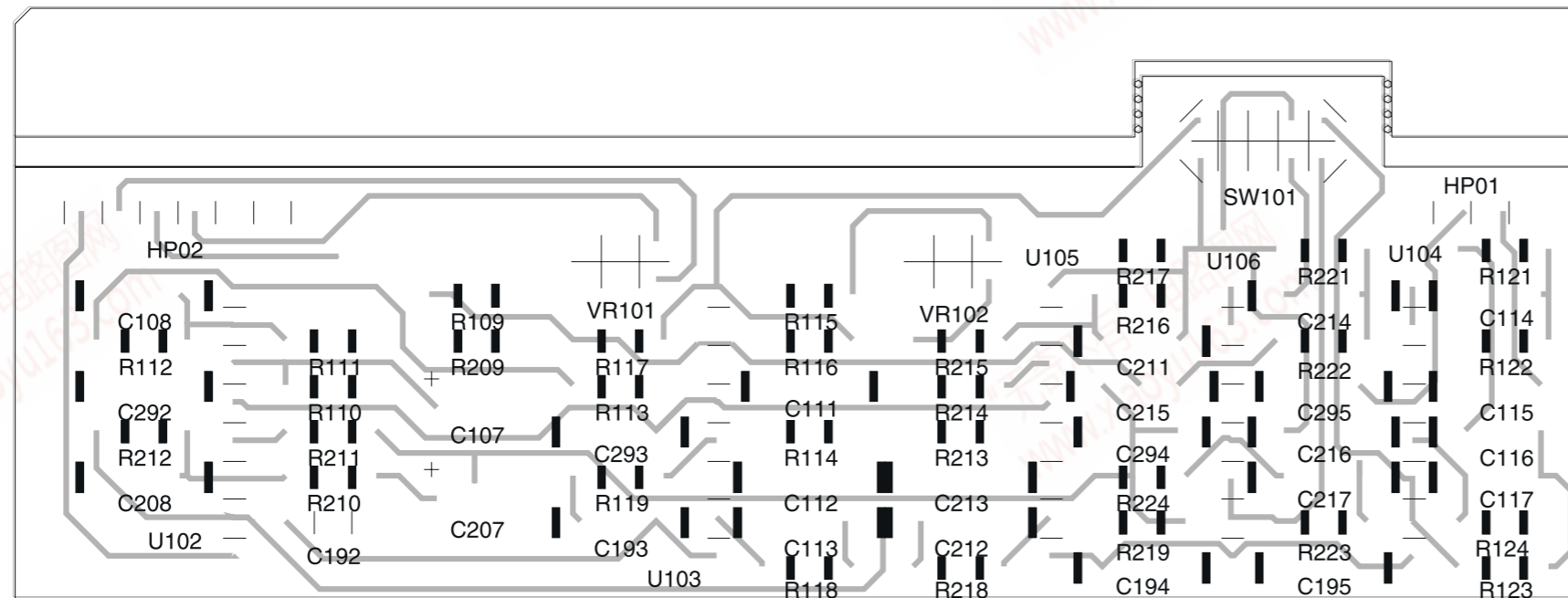
If electricity is connected during disassembly, it must be a no load current. If it is load current, be sure to attach a heat sink to the power-amp IC. This will be damaged if the above precautions are not followed, as it does not have a sub heat sink attached to it.

■ SUB PCB (Volume board)

Surface side view



Bottom side view



**Caution**

If electricity is connected during disassembly, it must be a no load current. If it is load current, be sure to attach a heat sink to the power-amp IC. This will be damaged if the above precautions are not followed, as it does not have a sub heat sink attached to it.



— MEMO —

Q Q 3 7 6 3 1 5 1 5 0 8 9 2 4 9 8 2 9 9

TEL 13942296513 QQ 376315150 892498299

“无奇不有”电路图网  
[www.xiaoyu163.com](http://www.xiaoyu163.com)

“无奇不有”电路图网  
[www.xiaoyu163.com](http://www.xiaoyu163.com)

“无奇不有”电路图网  
[www.xiaoyu163.com](http://www.xiaoyu163.com)

TEL 13942296513 QQ 376315150 892498299

“无奇不有”电路图网  
[www.xiaoyu163.com](http://www.xiaoyu163.com)

1 3 9 4 2 2 9 6 5 1 3

“无奇不有”电路图网  
[www.xiaoyu163.com](http://www.xiaoyu163.com)

3 7 6 3 1 5 1 5 0

8 9 2 4 9 8

“无奇不有”电路图网  
[www.xiaoyu163.com](http://www.xiaoyu163.com)

“无奇不有”电路图网  
[www.xiaoyu163.com](http://www.xiaoyu163.com)

“无奇不有”电路图网  
[www.xiaoyu163.com](http://www.xiaoyu163.com)

“无奇不有”电路图网  
[www.xiaoyu163.com](http://www.xiaoyu163.com)

www . xiaoyu163 . com

QQ 376315150

892498299

# PARTS LIST

[ KS-AX4700 ]

\* All printed circuit boards and its assemblies are not available as service parts.

Areas suffix	
E	----- Continental Europe
J	----- Northern America

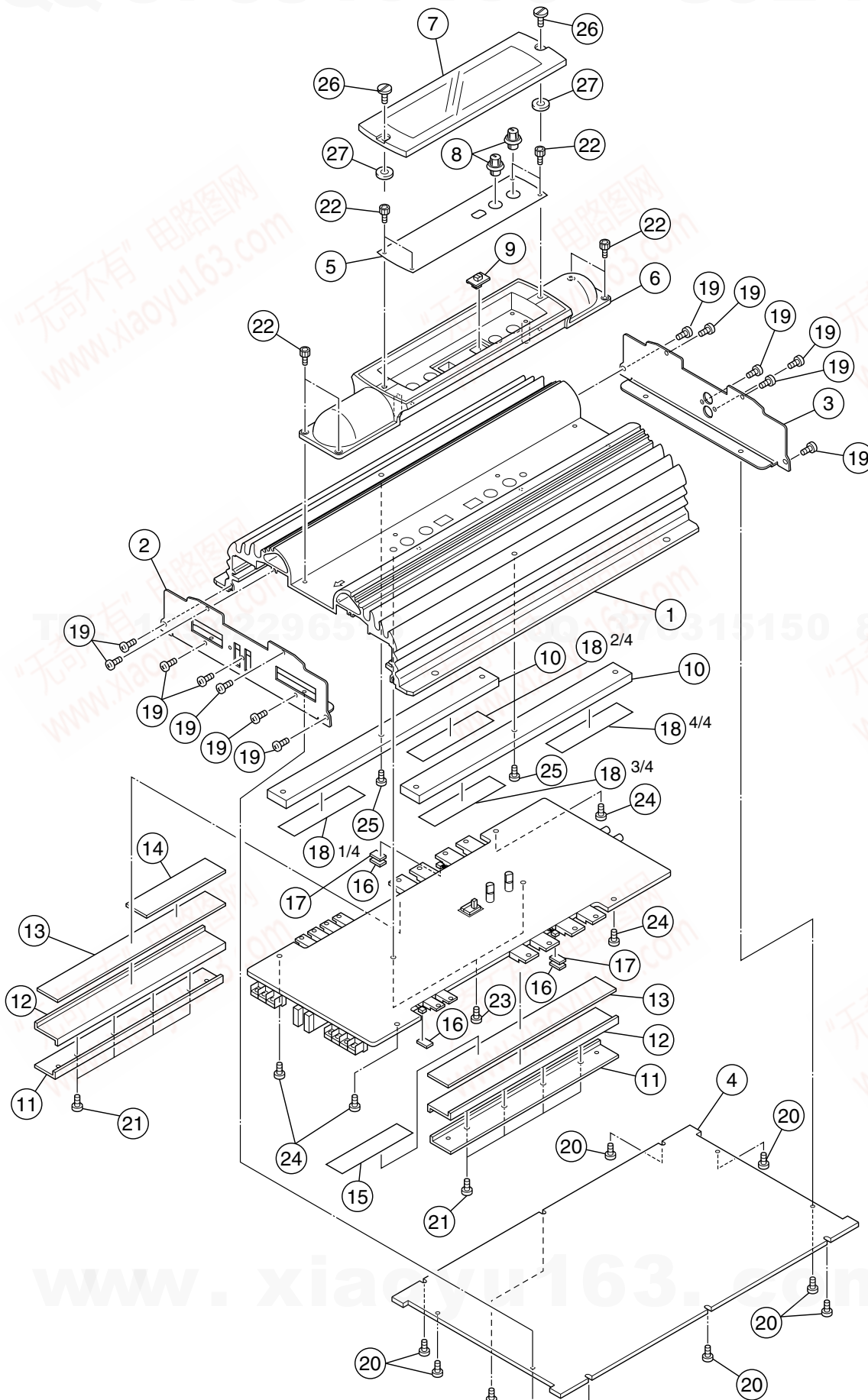
## - Contents -

Exploded view of enclosure assembly and parts list	-----	3-2
Electrical parts List	-----	3-4
Packing and accessories	-----	3-7

www.xiaoyu163.com

# Exploded view of enclosure assembly and parts list

Block No. M 1 M M



■ Parts list ( Enclosure assembly )

Block No. M1MM

△	Item	Parts number	Parts name	Q'ty	Description	Area
	1	MA-HS-IT-1123-1	MAIN HEAT SINK	1		
	2	MA-FP-IT-6413-1	FRONT PANEL	1		
	3	MA-RP-IT-6414-1	REAR PANEL	1		
	4	MA-BC-IT-6415-2	BOTTOM COVER	1		
	5	MA-SD-06-1925-0	CONTROL PANEL	1		
	6	MA-TC-03-1122-0	PIPE	1		
	7	MA-TC-04-8034-0	TOP PANEL	1		
	8	MO-KB-07-6023-2	VOLUME KNOB	2		
	9	MO-KB-07-6024-1	SWITCH KNOB	1		
	10	MA-SH-IT-6416-1	SUB HEAT SINK	2		
	11	MA-BR-03-4124-0	TR BRACKET-A	2		
	12	MA-BR-03-4125-0	TR BRACKET-B	2		
	13	MO-CU-02-4869-1	TR/BKT CUSHION-A	2		
	14	MO-CU-02-4195-1	TR/BKT CUSHION-B	1		
	15	MO-CU-02-4127-1	TR/BKT CUSHION-C	1		
	16	MO-CU-01-4097-1	RUBBER CUSH.-A	3		
	17	MO-CU-01-4097-0	RUBBER CUSH.-B	2		
	18	MA-SP-02-1901-0	SILICON PAD	1	460mm(115mm × 4)	
	19	MNSC-04-3-30-08	SCREW	13		
	20	MNSC-04-2-30-06	SCREW	10		
	21	MNC-00-3-40-14	SCREW	8		
	22	MNSC-04-6-30-06	SCREW	8		
	23	MZSC-04-5-30-08	SCREW	2		
	24	MZSC-04-5-30-13	SCREW	4		
	25	MZSC-04-5-30-10	SCREW	2		
	26	MNSC-00-1-40-7	SCREW (SPECIFIC)	2		
	27	MOWA-05-8085-0	POLY WASHER	2		

# Electrical parts list

## ■ Electrical parts list (P.C.board)

Block No. 01

△	Item	Parts number	Parts name	Remarks	Area	△	Item	Parts number	Parts name	Remarks	Area
	C 01	ELE10UF/16V	E.CAPACITOR	ELECTROLYTIC			C 142	CER104PF50V	CAPACITOR	CERAMIC DISK 50	
	C 11	ELE2200UF/25V	E.CAPACITOR	ELECTROLYTIC			C 151	ELE220UF/16V	E.CAPACITOR	ELECTROLYTIC	
	C 12	ELE2200UF/25V	E.CAPACITOR	ELECTROLYTIC			C 191	CER473PF50V	CAPACITOR	CERAMIC DISK 50	
	C 13	CER104PF50V	CAPACITOR	CERAMIC DISK 50			C 192	AXIAL473PF/50V	A CAPACITOR	AXIAL 50V 5%	
	C 15	CER104PF/50V	C.CAPACITOR	CERAMIC DISK 50			C 193	CER473PF/50V	C.CAPACITOR	CERAMIC DISK 50	
	C 16	ELE100UF/16V	E.CAPACITOR	ELECTROLYTIC			C 194	CER473PF/50V	C.CAPACITOR	CERAMIC DISK 50	
	C 17	ELE47UF/16V	E.CAPACITOR	ELECTROLYTIC			C 195	CER473PF/50V	C.CAPACITOR	CERAMIC DISK 50	
	C 18	ELE100UF/16V	E.CAPACITOR	ELECTROLYTIC			C 201	ELE4.7UF/50V	E.CAPACITOR	ELECTROLYTIC	
	C 19	ELE100UF/16V	E.CAPACITOR	ELECTROLYTIC			C 202	ELE4.7UF/50V	E.CAPACITOR	ELECTROLYTIC	
	C 20	CER104PF/50V	C.CAPACITOR	CERAMIC DISK 50			C 204	CER22PF/50V	C.CAPACITOR	CERAMIC DISK 50	
	C 21	ELE10UF/25V	E.CAPACITOR	ELECTROLYTIC			C 205	CER100PF/50V	C.CAPACITOR	CERAMIC DISK 50	
	C 22	ELE47UF/25V	E.CAPACITOR	ELECTROLYTIC			C 206	CER22PF/50V	C.CAPACITOR	CERAMIC DISK 50	
	C 23	ELE100UF/16V	E.CAPACITOR	ELECTROLYTIC			C 207	ELE4.7UF/50V	E.CAPACITOR	ELECTROLYTIC	
	C 27	CER473PF/50V	C.CAPACITOR	CERAMIC DISK 50			C 208	CER33PF/50V	C CAPACITOR	CERAMIC DISK 50	
	C 31	MAL104J/50V	M.CAPACITOR	MYLAR 50V 5%			C 211	CER47PF/50V	C CAPACITOR	CERAMIC DISK 50	
	C 40	MAL102G	S.CAPACITOR	STYCON			C 212	MAL224J/50V	M.CAPACITOR	MYLAR 50V 5%	
	C 41	ELE100UF/16V	E.CAPACITOR	ELECTROLYTIC			C 213	MAL183J/50V	M.CAPACITOR	MYLAR 50V 5%	
	C 60	MAL222J/50V	M.CAPACITOR	MYLAR 50V 5%			C 214	MAL104J/50V	M.CAPACITOR	MYLAR 50V 5%	
	C 61	CER104PF/50V	C.CAPACITOR	CERAMIC DISK 50			C 215	MAL473J/50V	M.CAPACITOR	MYLAR 50V 5%	
	C 62	CER104PF/50V	C.CAPACITOR	CERAMIC DISK 50			C 216	MAL473J/50V	M.CAPACITOR	MYLAR 50V 5%	
	C 63	ELE220UF/16V	E.CAPACITOR	ELECTROLYTIC			C 217	MAL473J/50V	M.CAPACITOR	MYLAR 50V 5%	
	C 64	ELE220UF/16V	E.CAPACITOR	ELECTROLYTIC			C 230	ELE4.7UF/50V	E.CAPACITOR	ELECTROLYTIC	
	C 65	CER104PF50V	CAPACITOR	CERAMIC DISK 50			C 231	ELE4.7UF/50V	E.CAPACITOR	ELECTROLYTIC	
	C 66	CER104PF/50V	C.CAPACITOR	CERAMIC DISK 50			C 232	CER100PF/50V	C.CAPACITOR	CERAMIC DISK 50	
	C 67	ELE470UF/50V	E CAPACITOR	ELECTROLYTIC			C 233	ELE10UF/16V	E.CAPACITOR	ELECTROLYTIC	
	C 68	ELE470UF/50V	E CAPACITOR	ELECTROLYTIC			C 234	ELE10UF/16V	E.CAPACITOR	ELECTROLYTIC	
	C 69	ELE2200UF/50V	E CAPACITOR	ELECTROLYTIC			C 235	CER150PF/50V	C.CAPACITOR	CERAMIC DISK 50	
	C 70	ELE2200UF/50V	E CAPACITOR	ELECTROLYTIC			C 236	MAL473J/50V	M.CAPACITOR	MYLAR 50V 5%	
	C 73	CER104PF/50V	C.CAPACITOR	CERAMIC DISK 50			C 237	CER220PF/50V	C CAPACITOR	CERAMIC DISK 50	
	C 74	CER104PF50V	CAPACITOR	CERAMIC DISK 50			C 238	CER56PF/50V	C.CAPACITOR	CERAMIC DISK 50	
	C 80	CER22PF/50V	C.CAPACITOR	CERAMIC DISK 50			C 239	ELE100UF/16V	E.CAPACITOR	ELECTROLYTIC	
	C 81	ELE47UF/25V	E.CAPACITOR	ELECTROLYTIC			C 240	CER150PF/50V	C.CAPACITOR	CERAMIC DISK 50	
	C 91	CER473PF/50V	C.CAPACITOR	CERAMIC DISK 50			C 241	MAL104J/50V	M.CAPACITOR	MYLAR 50V 5%	
	C 92	CER473PF/50V	C.CAPACITOR	CERAMIC DISK 50			C 291	CER473PF/50V	C.CAPACITOR	CERAMIC DISK 50	
	C 93	CER473PF/50V	C.CAPACITOR	CERAMIC DISK 50			C 292	CER473PF/50V	C.CAPACITOR	CERAMIC DISK 50	
	C 100	ELE330UF/25V(NP)	E CAPACITOR	ELECTROLYTIC(NP)			C 293	CER473PF/50V	C.CAPACITOR	CERAMIC DISK 50	
	C 101	ELE4.7UF/50V	E.CAPACITOR	ELECTROLYTIC			C 294	CER473PF/50V	C.CAPACITOR	CERAMIC DISK 50	
	C 102	ELE4.7UF/50V	E.CAPACITOR	ELECTROLYTIC			C 295	CER473PF/50V	C.CAPACITOR	CERAMIC DISK 50	
	C 103	CER103P/50V	C CAPACITOR	CERAMIC DISK 50			D 01	1N5404	DIODE	RECTIFIER	
	C 104	CER22PF/50V	C.CAPACITOR	CERAMIC DISK 50			D 02	1N4004	DIODE	RECTIFIER	
	C 105	CER100PF/50V	C.CAPACITOR	CERAMIC DISK 50			D 05	1N4148	GE DIODE	SWITCHING SIGNA	
	C 106	CER22PF/50V	C.CAPACITOR	CERAMIC DISK 50			D 10	1N4148	GE DIODE	SWITCHING SIGNA	
	C 107	ELE4.7UF/50V	E.CAPACITOR	ELECTROLYTIC			D 11	1N4148	GE DIODE	SWITCHING SIGNA	
	C 108	CER68PF/50V	C.CAPACITOR	CERAMIC DISK 50			D 31	FR154	DIODE	FAST RECOVERY	
	C 111	CER47PF/50V	C CAPACITOR	CERAMIC DISK 50			D 32	FR154	DIODE	FAST RECOVERY	
	C 112	MAL224J/50V	M.CAPACITOR	MYLAR 50V 5%			D 34	FR154	DIODE	FAST RECOVERY	
	C 113	MAL183J/50V	M.CAPACITOR	MYLAR 50V 5%			D 35	FR154	DIODE	FAST RECOVERY	
	C 114	MAL104J/50V	M.CAPACITOR	MYLAR 50V 5%			D 51	YG225D2	DIODE(BRIDGE)	FAST RECOVERY	
	C 115	MAL473J/50V	M.CAPACITOR	MYLAR 50V 5%			D 52	YG225D2	DIODE(BRIDGE)	FAST RECOVERY	
	C 116	MAL473J/50V	M.CAPACITOR	MYLAR 50V 5%			D 53	1N4744	ZENER DIODE	ZENER 15V/1W	
	C 117	MAL473J/50V	M.CAPACITOR	MYLAR 50V 5%			D 54	1N4744	ZENER DIODE	ZENER 15V/1W	
	C 130	ELE4.7UF/50V	E.CAPACITOR	ELECTROLYTIC			D 70	1N4148	GE DIODE	SWITCHING SIGNA	
	C 131	ELE4.7UF/50V	E.CAPACITOR	ELECTROLYTIC			D 71	1N4148	GE DIODE	SWITCHING SIGNA	
	C 132	CER100PF/50V	C.CAPACITOR	CERAMIC DISK 50			D 101	1N4148	GE DIODE	SWITCHING SIGNA	
	C 133	ELE10UF/16V	E.CAPACITOR	ELECTROLYTIC			D 201	1N4148	GE DIODE	SWITCHING SIGNA	
	C 134	ELE10UF/16V	E.CAPACITOR	ELECTROLYTIC			△ F 1	FUSE20A/32V	AUTO FUSE		
	C 135	CER150PF/50V	C.CAPACITOR	CERAMIC DISK 50			F 01	FH-9604	FUSE HOLDER		
	C 136	MAL473J/50V	M.CAPACITOR	MYLAR 50V 5%			HP 01	4P	HEADER PIN	GOLD PLATED	
	C 137	CER220PF/50V	C CAPACITOR	CERAMIC DISK 50			HP 02	8P	HEADER PIN	GOLD PLATED	
	C 138	CER56PF/50V	C.CAPACITOR	CERAMIC DISK 50			JA 01	DJB-552S	RCA JACK		
	C 139	ELE100UF/16V	E.CAPACITOR	ELECTROLYTIC			L 01	CL-310	INDUCTOR	BAR CORE	
	C 140	CER150PF50V	C CAPACITOR	CERAMIC DISK 50			L 10	CL-1113	INDUCTOR	IRON 23PHI CORE	
	C 141	MAL104J/50V	M.CAPACITOR	MYLAR 50V 5%			LED01	SAM3270	LED		

■ Electrical parts list (P.C.board)

Block No. 01

△	Item	Parts number	Parts name	Remarks	Area	△	Item	Parts number	Parts name	Remarks	Area
	P 01	TM0006-00	TERMINAL				R 20	CAR1/5WJ10K	RESISTOR	CARBON FILM 1/5	
	P 02	TM0009-00	TERMINAL				R 25	CAR1/5WJ10	RESISTOR	CARBON FILM 1/5	
	Q 01	KTA1023Y	TRANSISTOR	SMALL SIGNAL PN			R 26	CAR1/5WJ1K	RESISTOR	CARBON FILM 1/5	
	Q 02	KTC3198GR	TRANSISTOR	SMALL SIGNAL NP			R 30	CAR1/5WJ1K	RESISTOR	CARBON FILM 1/5	
	Q 05	KTA1266GR	TRANSISTOR	SMALL SIGNAL PN			R 31	CAR1/5WJ22K	RESISTOR	CARBON FILM 1/5	
	Q 06	KTA1266GR	TRANSISTOR	SMALL SIGNAL PN			R 32	CAR1/5WJ33K	RESISTOR	CARBON FILM 1/5	
	Q 07	KTC3198BL	TRANSISTOR	SMALL SIGNAL NP			R 33	CAR1/5WJ15K	RESISTOR	CARBON FILM 1/5	
	Q 08	KTA1268GR	TRANSISTOR	SMALL SIGNAL PN			R 34	CAR1/5WJ15K	RESISTOR	CARBON FILM 1/5	
	Q 31	KTC3198GR	TRANSISTOR	SMALL SIGNAL NP			R 35	CAR1/5WJ1.2K	RESISTOR	CARBON FILM 1/5	
	Q 32	KTC3198GR	TRANSISTOR	SMALL SIGNAL NP			R 36	CAR1/5WJ51K	RESISTOR	CARBON FILM 1/5	
	Q 40	KTA1266GR	TRANSISTOR	SMALL SIGNAL PN			R 37	CAR1/5WJ1.2K	RESISTOR	CARBON FILM 1/5	
	Q 41	KTA1266GR	TRANSISTOR	SMALL SIGNAL PN			R 38	CAR1/5WJ10K	RESISTOR	CARBON FILM 1/5	
	Q 45	FQP50N06	FET	N-CH POWER MOSF			R 39	CAR1/5WJ68K	RESISTOR	CARBON FILM 1/5	
	Q 46	FQP50N06	FET	N-CH POWER MOSF			R 40	CAR1/5WJ15K	RESISTOR	CARBON FILM 1/5	
	Q 55	FQP50N06	FET	N-CH POWER MOSF			R 41	MET1/5WF15K	RESISTOR	METAL FILM 1/5W	
	Q 56	FQP50N06	FET	N-CH POWER MOSF			R 42	CAR1/4WJ220	RESISTOR	CARBON FILM 1/4	
	Q 80	KTK30AGR	FET	N-CH JFET			R 43	CAR1/4WJ220	RESISTOR	CARBON FILM 1/4	
	Q 100	KTK117	FET	N-CH JFET			R 44	CAR1/5WJ1K	RESISTOR	CARBON FILM 1/5	
	Q 101	KTC3198GR	TRANSISTOR	SMALL SIGNAL NP			R 45	CAR1/5WJ47	RESISTOR	CARBON FILM 1/5	
	Q 102	KTC3198GR	TRANSISTOR	SMALL SIGNAL NP			R 46	CAR1/5WJ47	RESISTOR	CARBON FILM 1/5	
	Q 103	KTA1266GR	TRANSISTOR	SMALL SIGNAL PN			R 47	MET2W10	RESISTOR	METAL FILM 2WJ	
	Q 104	KTA1266GR	TRANSISTOR	SMALL SIGNAL PN			R 54	CAR1/5WJ1K	RESISTOR	CARBON FILM 1/5	
	Q 105	KTA1023Y	TRANSISTOR	SMALL SIGNAL PN			R 55	CAR1/5WJ47	RESISTOR	CARBON FILM 1/5	
	Q 106	KTC1027Y	TRANSISTOR	SMALL SIGNAL NP			R 56	CAR1/5WJ47	RESISTOR	CARBON FILM 1/5	
	Q 107	KTC3200GR	TRANSISTOR	SMALL SIGNAL NP			R 57	MET2W10	RESISTOR	METAL FILM 2WJ	
	Q 108	KSC2690A	TRANSISTOR	AUDIO DRIVE NPN			R 60	MET2WJ100	RESISTOR	METAL FILM 2WJ	
	Q 109	KSC2690A	TRANSISTOR	AUDIO DRIVE NPN			R 70	MET2WJ470	RESISTOR	METAL FILM 2WJ	
	Q 110	KSA1220A	TRANSISTOR	AUDIO DRIVE PNP			R 71	MET2WJ470	RESISTOR	METAL FILM 2WJ	
	Q 111	KSA1220A	TRANSISTOR	AUDIO DRIVE PNP			R 77	MET1/2WJ10K	RESISTOR	METAL FILM 1/2W	
	Q 112	KTD998	TRANSISTOR	AUDIO POWER NPN			R 78	MET1/2WJ10K	RESISTOR	METAL FILM 1/2W	
	Q 113	KTD998	TRANSISTOR	AUDIO POWER NPN			R 80	CAR1/5WJ220K	RESISTOR	CARBON FILM 1/5	
	Q 114	KTB778	TRANSISTOR	AUDIO POWER PNP			R 81	CAR1/5WJ10K	RESISTOR	CARBON FILM 1/5	
	Q 115	KTB778	TRANSISTOR	AUDIO POWER PNP			R 82	CAR1/5WJ2.2M	RESISTOR	CARBON FILM 1/5	
	Q 116	KTC3200GR	TRANSISTOR	SMALL SIGNAL NP			R 90	CAR1/5WJ10K	RESISTOR	CARBON FILM 1/5	
	Q 117	KTC3198GR	TRANSISTOR	SMALL SIGNAL NP			R 101	MET1/5WF22K	RESISTOR	METAL FILM 1/5W	
	Q 200	KTK117	FET	N-CH JFET			R 102	MET1/5WF21.5K	RESISTOR	METAL FILM 1/5W	
	Q 201	KTC3198GR	TRANSISTOR	SMALL SIGNAL NP			R 103	MET1/5WF22K	RESISTOR	METAL FILM 1/5W	
	Q 202	KTC3198GR	TRANSISTOR	SMALL SIGNAL NP			R 104	CAR1/5WJ470	RESISTOR	CARBON FILM 1/5	
	Q 203	KTA1266GR	TRANSISTOR	SMALL SIGNAL PN			R 105	MET1/5WF24K	RESISTOR	METAL FILM 1/5W	
	Q 204	KTA1266GR	TRANSISTOR	SMALL SIGNAL PN			R 106	MET1/5WF24K	RESISTOR	METAL FILM 1/5W	
	Q 205	KTA1023Y	TRANSISTOR	SMALL SIGNAL PN			R 108	CAR1/5WJ1K	RESISTOR	CARBON FILM 1/5	
	Q 206	KTC1027Y	TRANSISTOR	SMALL SIGNAL NP			R 109	MET1/5WF1.3K	RESISTOR	METAL FILM 1/5W	
	Q 207	KTC3200GR	TRANSISTOR	SMALL SIGNAL NP			R 110	MET1/5WF15K	RESISTOR	METAL FILM 1/5W	
	Q 208	KSC2690A	TRANSISTOR	AUDIO DRIVE NPN			R 111	MET1/5WF11K	RESISTOR	METAL FILM 1/5W	
	Q 209	KSC2690A	TRANSISTOR	AUDIO DRIVE NPN			R 112	MET1/5WF30K	RESISTOR	METAL FILM 1/5W	
	Q 210	KSA1220A	TRANSISTOR	AUDIO DRIVE PNP			R 113	CAR1/5WJ1K	RESISTOR	CARBON FILM 1/5	
	Q 211	KSA1220A	TRANSISTOR	AUDIO DRIVE PNP			R 114	CAR1/5WJ1K	RESISTOR	CARBON FILM 1/5	
	Q 212	KTD998	TRANSISTOR	AUDIO POWER NPN			R 115	CAR1/5WJ1K	RESISTOR	CARBON FILM 1/5	
	Q 213	KTD998	TRANSISTOR	AUDIO POWER NPN			R 116	CAR1/5WJ20K	RESISTOR	CARBON FILM 1/5	
	Q 214	KTB778	TRANSISTOR	AUDIO POWER PNP			R 117	CAR1/5WJ100K	RESISTOR	CARBON FILM 1/5	
	Q 215	KTB778	TRANSISTOR	AUDIO POWER PNP			R 118	CAR1/5WJ5.6K	RESISTOR	CARBON FILM 1/5	
	Q 216	KTC3200GR	TRANSISTOR	SMALL SIGNAL NP			R 119	CAR1/5WJ470K	RESISTOR	CARBON FILM 1/5	
	Q 217	KTC3198GR	TRANSISTOR	SMALL SIGNAL NP			R 121	CAR1/5WJ30K	RESISTOR	CARBON FILM 1/5	
	R 01	CAR1/4WJ10	RESISTOR	CARBON FILM 1/4			R 122	CAR1/5WJ30K	RESISTOR	CARBON FILM 1/5	
	R 02	CAR1/5WJ4.7K	RESISTOR	CARBON FILM 1/5			R 123	CAR1/5WJ30K	RESISTOR	CARBON FILM 1/5	
	R 03	CAR1/5WJ4.7K	RESISTOR	CARBON FILM 1/5			R 124	CAR1/5WJ62K	RESISTOR	CARBON FILM 1/5	
	R 04	CAR1/5WJ4.7K	RESISTOR	CARBON FILM 1/5			R 130	CAR1/5WJ10K	RESISTOR	CARBON FILM 1/5	
	R 05	CAR1/5WJ10K	RESISTOR	CARBON FILM 1/5			R 131	MET1/5WF5.6K	RESISTOR	METAL FILM 1/5W	
	R 15	MET1/5WF130K	RESISTOR	METAL FILM 1/5W			R 132	MET1/5WF22K	RESISTOR	METAL FILM 1/5W	
	R 16	MET1/5WF51K	RESISTOR	METAL FILM 1/5W			R 133	CAR1/5WJ1K	RESISTOR	CARBON FILM 1/5	
	R 17	CAR1/5WJ4.7K	RESISTOR	CARBON FILM 1/5			R 134	CAR1/5WJ5.6K	RESISTOR	CARBON FILM 1/5	
	R 18	CAR1/5WJ4.7K	RESISTOR	CARBON FILM 1/5			R 135	CAR1/5WJ5.6K	RESISTOR	CARBON FILM 1/5	
	R 19	CAR1/5WJ10K	RESISTOR	CARBON FILM 1/5			R 136	CAR1/5WJ1K	RESISTOR	CARBON FILM 1/5	

## ■ Electrical parts list (P.C.board)

Block No. 01

△	Item	Parts number	Parts name	Remarks	Area
	R 137	CAR1/5WJ1K	RESISTOR	CARBON FILM 1/5	
	R 138	CAR1/5WJ22	RESISTOR	CARBON FILM 1/5	
	R 139	CAR1/5WJ22	RESISTOR	CARBON FILM 1/5	
	R 140	CAR1/5WJ22	RESISTOR	CARBON FILM 1/5	
	R 141	CAR1/5WJ22	RESISTOR	CARBON FILM 1/5	
	R 142	CAR1/5WJ1K	RESISTOR	CARBON FILM 1/5	
	R 143	CAR1/5WJ47	RESISTOR	CARBON FILM 1/5	
	R 144	CAR1/5WJ3.9K	RESISTOR	CARBON FILM 1/5	
	R 145	CAR1/5WJ2.7K	RESISTOR	CARBON FILM 1/5	
	R 146	CAR1/5WJ47	RESISTOR	CARBON FILM 1/5	
	R 147	MET1/5WF12K	RESISTOR	METAL FILM 1/5W	
	R 148	MET1/5WF560	RESISTOR	METAL FILM 1/5W	
	R 149	CAR1/5WJ220	RESISTOR	CARBON FILM 1/5	
	R 150	CAR1/5WJ220	RESISTOR	CARBON FILM 1/5	
	R 151	MET3W0.1	RESISTOR		
	R 152	MET3W0.1	RESISTOR		
	R 153	MET3W0.1	RESISTOR		
	R 154	MET3W0.1	RESISTOR		
	R 155	CAR1/5WJ1.5K	RESISTOR	CARBON FILM 1/5	
	R 156	CAR1/5WJ15K	RESISTOR	CARBON FILM 1/5	
	R 157	CAR1/5WJ56K	RESISTOR	CARBON FILM 1/5	
	R 158	MET1/2WJ4.7	RESISTOR	METAL FILM 1/2W	
	R 159	MET2WJ680	RESISTOR	METAL FILM 2WJ	
	R 201	MET1/5WF22K	RESISTOR	METAL FILM 1/5W	
	R 202	MET1/5WF21.5K	RESISTOR	METAL FILM 1/5W	
	R 203	MET1/5WF22K	RESISTOR	METAL FILM 1/5W	
	R 205	MET1/5WF24K	RESISTOR	METAL FILM 1/5W	
	R 206	MET1/5WF24K	RESISTOR	METAL FILM 1/5W	
	R 208	CAR1/5WJ1K	RESISTOR	CARBON FILM 1/5	
	R 209	MET1/5WF1.3K	RESISTOR	METAL FILM 1/5W	
	R 210	MET1/5WF15K	RESISTOR	METAL FILM 1/5W	
	R 211	CAR1/5WJ12K	RESISTOR	CARBON FILM 1/5	
	R 212	MET1/5WF56K	RESISTOR	METAL FILM 1/5W	
	R 213	CAR1/5WJ1K	RESISTOR	CARBON FILM 1/5	
	R 214	CAR1/5WJ1K	RESISTOR	CARBON FILM 1/5	
	R 215	CAR1/5WJ1K	RESISTOR	CARBON FILM 1/5	
	R 216	CAR1/5WJ20K	RESISTOR	CARBON FILM 1/5	
	R 217	CAR1/5WJ100K	RESISTOR	CARBON FILM 1/5	
	R 218	CAR1/5WJ5.6K	RESISTOR	CARBON FILM 1/5	
	R 219	CAR1/5WJ470K	RESISTOR	CARBON FILM 1/5	
	R 221	CAR1/5WJ30K	RESISTOR	CARBON FILM 1/5	
	R 222	CAR1/5WJ30K	RESISTOR	CARBON FILM 1/5	
	R 223	CAR1/5WJ30K	RESISTOR	CARBON FILM 1/5	
	R 224	CAR1/5WJ62K	RESISTOR	CARBON FILM 1/5	
	R 230	CAR1/5WJ10K	RESISTOR	CARBON FILM 1/5	
	R 231	MET1/5WF5.6K	RESISTOR	METAL FILM 1/5W	
	R 232	MET1/5WF22K	RESISTOR	METAL FILM 1/5W	
	R 233	CAR1/5WJ1K	RESISTOR	CARBON FILM 1/5	
	R 234	CAR1/5WJ5.6K	RESISTOR	CARBON FILM 1/5	
	R 235	CAR1/5WJ5.6K	RESISTOR	CARBON FILM 1/5	
	R 236	CAR1/5WJ1K	RESISTOR	CARBON FILM 1/5	
	R 237	CAR1/5WJ1K	RESISTOR	CARBON FILM 1/5	
	R 238	CAR1/5WJ22	RESISTOR	CARBON FILM 1/5	
	R 239	CAR1/5WJ22	RESISTOR	CARBON FILM 1/5	
	R 240	CAR1/5WJ22	RESISTOR	CARBON FILM 1/5	
	R 241	CAR1/5WJ22	RESISTOR	CARBON FILM 1/5	
	R 242	CAR1/5WJ1K	RESISTOR	CARBON FILM 1/5	
	R 243	CAR1/5WJ47	RESISTOR	CARBON FILM 1/5	
	R 244	CAR1/5WJ3.9K	RESISTOR	CARBON FILM 1/5	
	R 245	CAR1/5WJ2.7K	RESISTOR	CARBON FILM 1/5	
	R 246	CAR1/5WJ47	RESISTOR	CARBON FILM 1/5	
	R 247	MET1/5WF12K	RESISTOR	METAL FILM 1/5W	
	R 248	MET1/5WF560	RESISTOR	METAL FILM 1/5W	

△	Item	Parts number	Parts name	Remarks	Area
	R 249	CAR1/5WJ220	RESISTOR	CARBON FILM 1/5	
	R 250	CAR1/5WJ220	RESISTOR	CARBON FILM 1/5	
	R 251	MET3W0.1	RESISTOR		
	R 252	MET3W0.1	RESISTOR		
	R 253	MET3W0.1	RESISTOR		
	R 254	MET3W0.1	RESISTOR		
	R 255	CAR1/5WJ1.5K	RESISTOR	CARBON FILM 1/5	
	R 256	CAR1/5WJ15K	RESISTOR	CARBON FILM 1/5	
	R 257	CAR1/5WJ56K	RESISTOR	CARBON FILM 1/5	
	R 258	MET1/2WJ4.7	RESISTOR	METAL FILM 1/2W	
	R 259	MET2WJ680	RESISTOR	METAL FILM 2WJ	
	SV 01	GF06P-202	SEMI VOLUME	2K OHM	
	SW101	JSS-2319	SWITCH	SLIDE SW	
	T 01	TF137061501	TRANS FORMER		
	TH 01	FTD5-350	THERMISTOR	50K NTC	
	U 01	TL494CN	I.C	PWM IC	
	U 101	NJM2068D	I.C	DUAL OP AMP	
	U 102	NJM2068LD	I.C	DUAL OP AMP	
	U 103	NJM2068LD	I.C	DUAL OP AMP	
	U 104	NJM2068LD	I.C	DUAL OP AMP	
	U 105	NJM2068LD	I.C	DUAL OP AMP	
	U 106	NJM2068LD	I.C	DUAL OP AMP	
	VR101	RK0971220-20KB2	VOLUME		
	VR102	RK0971220-20KB2	VOLUME		

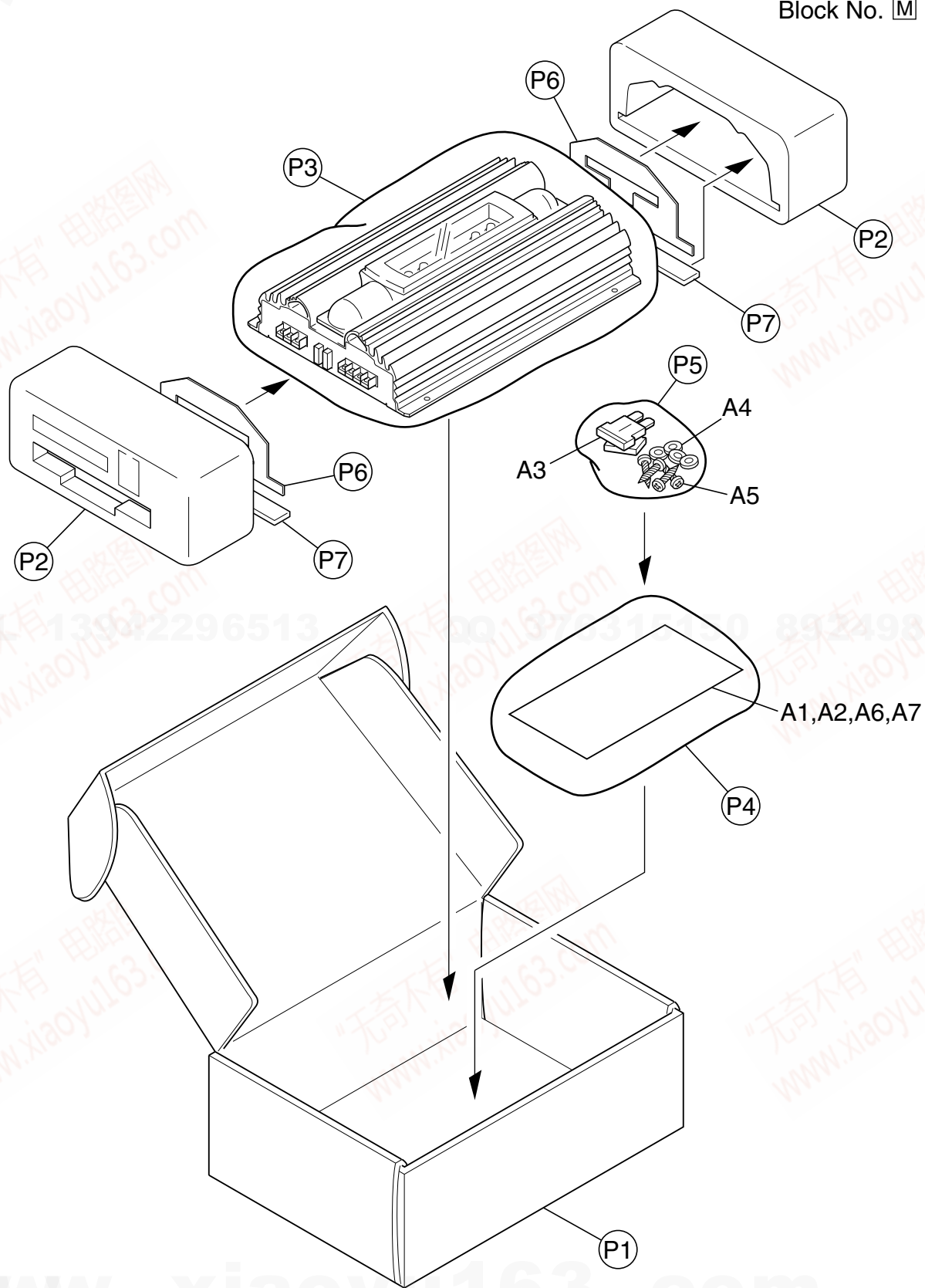
# Packing and accessories

Block No. 

M	2	M	M
---	---	---	---

Block No. 

M	3	M	M
---	---	---	---



TEL: 13942296513 QQ: 376315150 892498299

TEL: 13942296513 QQ: 376315150 892498299

www.xiaoyu163.com



### ■ Packing parts list

Block No. M2MM

△	Item	Parts number	Parts name	Q'ty	Description	Area
	P 1	MA-GB-02-6419-0	GIFT BOX	1		
	P 2	MA-SN-07-1116-0	CUSHION	2		
	P 3	MA-PB-01-1039-0	POLY BAG-A	1		
	P 4	MA-PB-01-1715-0	POLY BAG-B	1		
	P 5	MA-PB-01-4101-0	POLY BAG-C	1		
	P 6	MO-FI-01-8087-0	PAPER SPACER	2		
	P 7	MA-IN-02-8090-0	FLAT PAD	2		

### ■ Accessories parts list

Block No. M3MM

△	Item	Parts number	Parts name	Q'ty	Description	Area
	A 1	LVT0727-001A	INST BOOK	1		
	A 2	BT-52004-1	WARRANTY CARD	1		J
		BT-51018-2	WARRANTY CARD	1		J
		BT-54013-1	WARRANTY CARD	1		E
	A 3	FUSE20A/32V	AUTO FUSE	2		
	A 4	MO-CU-01-4167-0	RUBBER CUSHION	4		
	A 5	MNSC-05-2-40-20	SCREW	4		
	A 6	BT-51020-2	REGIST CARD	1		
	A 7	BT-20071B	SERVICE CECTER LIST	1		J
	KIT 1	KSAX4700-SCREW	SCREW PARTS LIST	1	A4,A5,P5	J